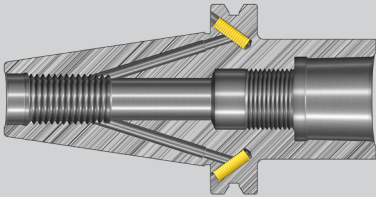


Handling instructions

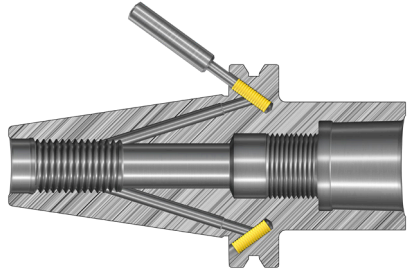
## Dowel set

How to close and open a  
B-coolant hole

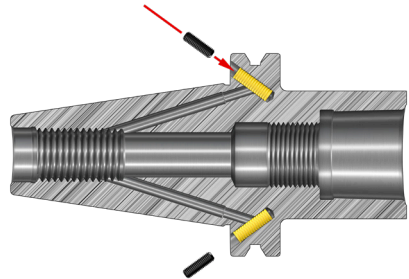


## Close B-coolant hole

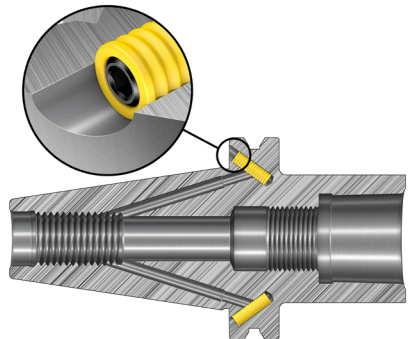
Insert dowel with an assembling tool.



Tighten the clamping screw.



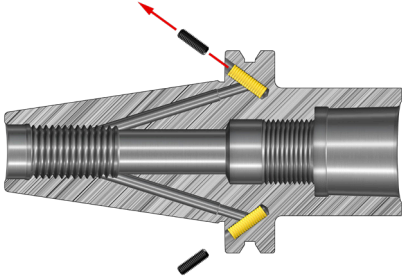
Result after finished mounting.



Head office:  
AB Sandvik Coromant  
SE-811 81 Sandviken, Sweden  
[www.sandvik.coromant.com](http://www.sandvik.coromant.com)  
E-mail: [info.coromant@sandvik.com](mailto:info.coromant@sandvik.com)

## Open B-coolant hole

Remove the clamping screw.



Ordering information:

SK40: 5643 017-01  
(package of 20 dowels and screws)

SK50: 5643 017-02  
(package of 20 dowels and screws)

### Important information!

Use every dowel only once!

Use a standard M3 screw (tightened with 3-4 turns) and pull out the dowel.

