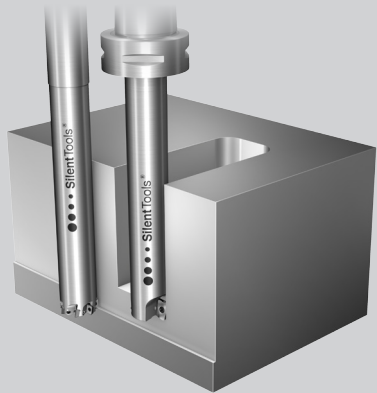
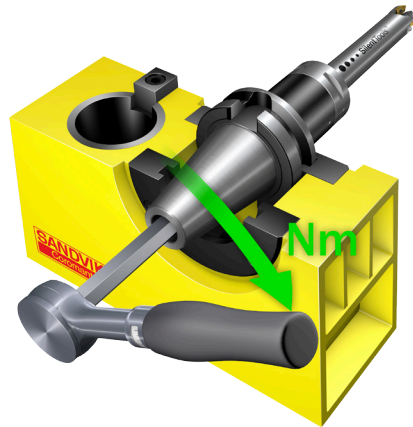
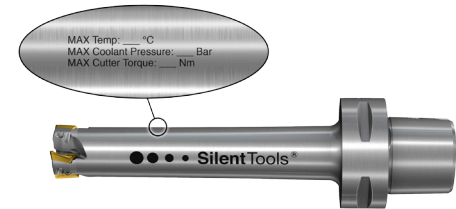
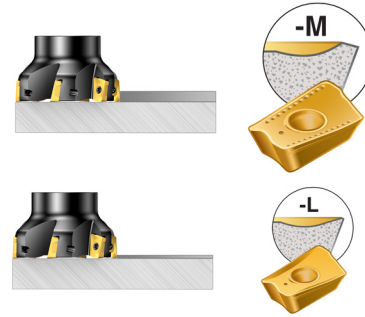


Handling instructions  
**Silent Tools™ - CoroMill® 390**



● ● ● ● **SilentTools®**



Coromant Capto size	Torque (ft-lbs)	Torque (Nm)
C5	70	95
C6	125	170

Insert size	Torque (ft-lbs)	Torque (Nm)
07	0.37	0.5
11	0.88	1.2



[www.sandvik.coromant.com/downloads](http://www.sandvik.coromant.com/downloads)

Head office:  
AB Sandvik Coromant  
SE-811 81 Sandviken, Sweden  
[www.sandvik.coromant.com](http://www.sandvik.coromant.com)  
E-mail: [info.coromant@sandvik.com](mailto:info.coromant@sandvik.com)