

# CoroTurn® 300 external Coromant Capto® holders for turning tailor made offer (metric and inch)

*Tailor Made*



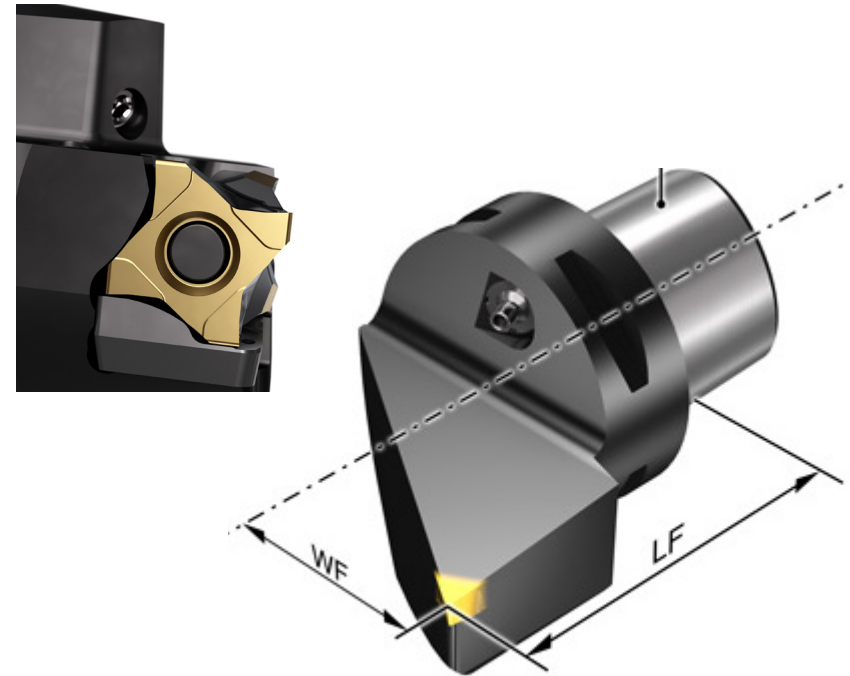
- Available in CAPP family: T560

For neutral position of cutting edge:  
Functional length LF \*)

CZC	LF *)
C4	65 - 110 (2.559 - 4.331)
C5	65 - 130 (2.559 - 5.118)
C6	65 - 150 (2.559 - 5.906)
C8	85 - 180 (3.346 - 7.087)

For right or left position of cutting edge:  
Functional width WF and length LF \*)

CZC	WF *)	LF *)
C4	25 - 32 (0.984 - 1.260)	55 - 65 (2.165 - 2.559)
C5	30 - 40 (1.181 - 1.575)	60 - 75 (2.362 - 2.953)
C6	36.5 - 50 (1.437 - 1.969)	65 - 80 (2.559 - 3.150)
C8	45 - 60 (1.772 - 2.362)	80 - 90 (3.150 - 3.543)



Unit of Measurement	Metric or Inch	Internal Coolant	Both, Lower, Upper, None
Connection type	Coromant Capto	Data chip provision	Yes, No
Connection size CZC	C4, C5, C6, C8	Functional width WF	Depending on size *)
Insert	3-80-10	Functional length LF	Depending on size *)
Position of cutting edge	Right, Left or Neutral	Customer denomination	Max 18 digits
Main feed direction	Both, Side, End		
Entering angle KAPR	90° - 95°		
Lead angle PSIR	-5° - 0°		

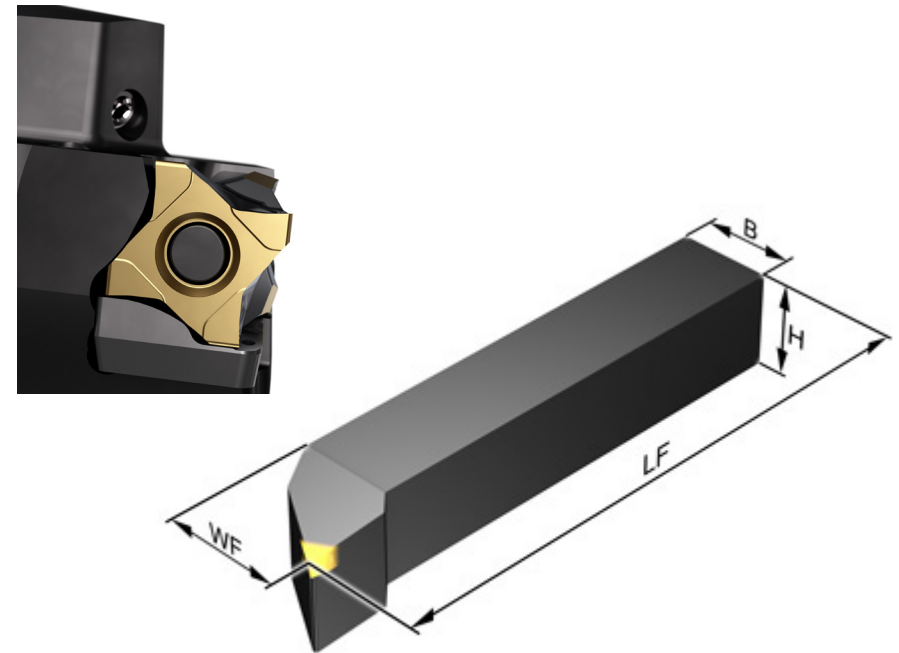
# CoroTurn® 300 external shank holders for turning tailor made offer (metric and inch)

- Available in CAPP family: T560

*Tailor Made*

Functional LF\*)

	CZC	LF *)
Metric:	2020	108 - 159.9
	2525	108 - 160.5
	3225	108 - 180.5
	3232	108 - 180.5
Inch:	12 (3/4 x 3/4)	4.252 - 6.295
	16 (1 x 1)	4.252 - 6.318
	20 (1 1/4 x 1 1/4)	4.252 - 7.106

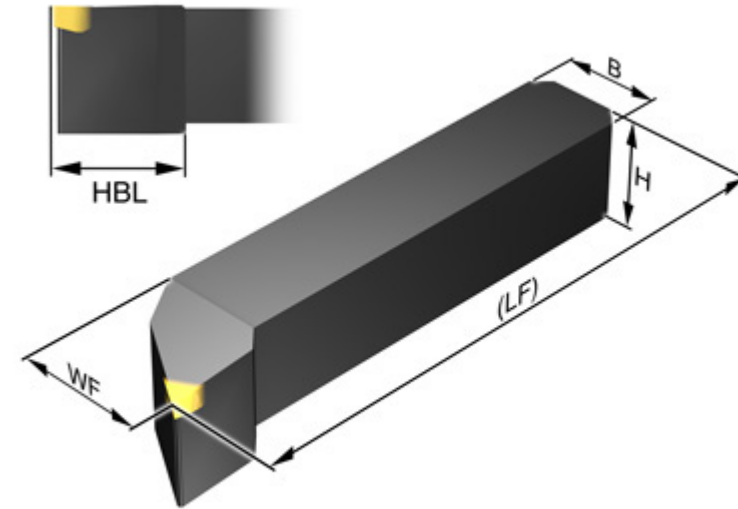


Unit of Measurement	Metric or Inch	Internal coolant	Both, Lower, Upper, None
Connection type	Square shank	Functional length LF	Depending on size <sup>1)</sup>
Connection size CZC	Metric: 2020, 2525, 3225, 3232 Inch: 12 (3/4"), 16 (1"), 20 (1 1/4")	Customer denomination	Max 18 digits
Insert	3-80-10		
Position of cutting edge	Right or Left		
Main feed direction	Both, Side, End		
Entering angle KAPR	90° - 95°		
Lead angle PSIR	-5° - 0°		

# CoroTurn® 300 external QS-holders for turning tailor made offer (metric and inch)

- Available in CAPP family: T560

*Tailor Made*



Tool length HBL \*)

	CZC	HBL
Metric:	2020	34 - 49
	2525	31 - 46
Inch:	12 (3/4 x 3/4)	1.375 - 1.966
	16 (1 x 1)	1.250 - 1.841

Unit of Measurement	Metric or Inch
Connection type	QS shank
Connection size CZC	Metric: 2020, 2525 Inch: 12 (3/4"), 16 (1")
Insert	3-80-10
Position of cutting edge	Right, Left
Main feed direction	Both, Side, End
Entering angle KAPR	90° to 95°
Lead angle PSIR	-5° to 0°

Internal coolant	Both, Lower, Upper, None
Tool length HBL	Depending on size <sup>1)</sup>
Customer denomination	Max 18 digits