

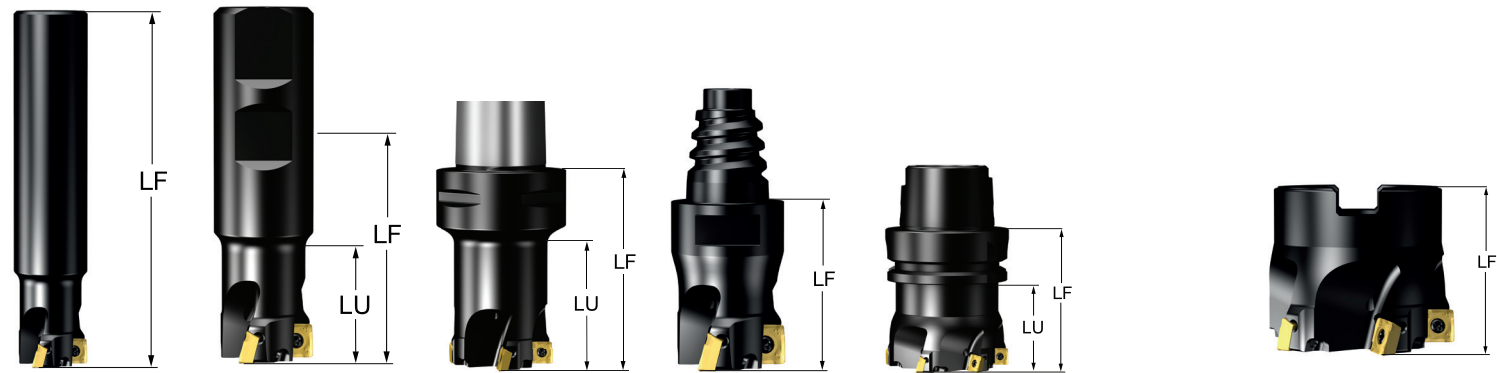
CoroMill® 490 Shoulder milling body tailor made offer (metric)

Tailor Made

- Available in CAPP family: M270
- Available with insert sizes: iC08, iC14
- Diameter range considering DCX: 25–254 mm
- Both differential & even pitch option available with variable number of inserts.
- Both with coolant (depending on cutter length) & without coolant option available in all diameters.

Insert size (iC)	08		14	
Diameter range (DCX)	19.05–84		38.1–254	
Pitch (differential / even)	D	E	D	E
Number of inserts (ZN)	3–10	2–11	3–19	2–20
Internal coolant	Yes & No			





Length		Cylindrical shank	Weldon shank	Coromant Capto	EH coupling	HSK	Arbor		
							TDA	TDB	TDC
LF	08	74-250	50.5-175.5	50-80	30-50	70-95	40-80	-	-
LF	14	98-250	66.5-169.5	60-80	-	70-95	40, 50, 63	50, 63	63

LU Depending upon the type of mounting selected, various programming length, and reach length can be achieved.

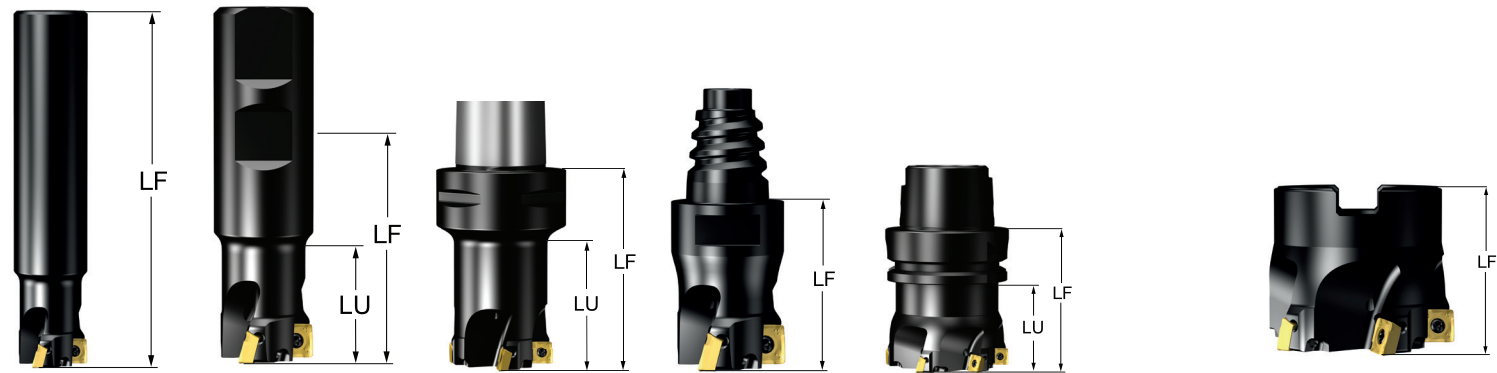
CoroMill® 490 Shoulder milling body tailor made offer (inch)

Tailor Made

- Available in CAPP family: M270
- Available with insert sizes: iC08, iC14
- Diameter range considering DCX: 0.984–10.0 inch
- Both differential & even pitch option available with variable number of inserts.
- Both with coolant (depending on cutter length) & without coolant option available in all diameters.

Insert size (iC)	08		14	
Diameter range (DCX)	0.75–3.307		1.5–10.0	
Pitch (differential / even)	D	E	D	E
Number of inserts (ZN)	3–10	2–11	3–19	2–20
Internal coolant	Yes & No			





Length		Cylindrical shank	Weldon shank	Coromant Capto	EH coupling	HSK	Arbor		
							TDA	TDB	TDC
LF	08	2.913–9.843	1.988–6.909	1.969–3.150	1.181–1.969	2.756–3.740	1.575–3.150	–	–
LF	14	3.858–9.843	2.618–6.673	2.362–3.150	–	2.756–3.740	1.57, 1.97, 2.48	1.969, 2.480	2.480

LU Depending upon the type of mounting selected, various programing length, and reach length can be achieved.