

# B683

## Cylinder boring – semi finishing

B683 is designed and developed for semi-finishing in cylinder boring operations.

The solution produces excellent roundness and cylindricity, allowing for a smooth finishing operation due to the integrated Silent Tools™ damped adaptor.



### Silent Tools™ damper

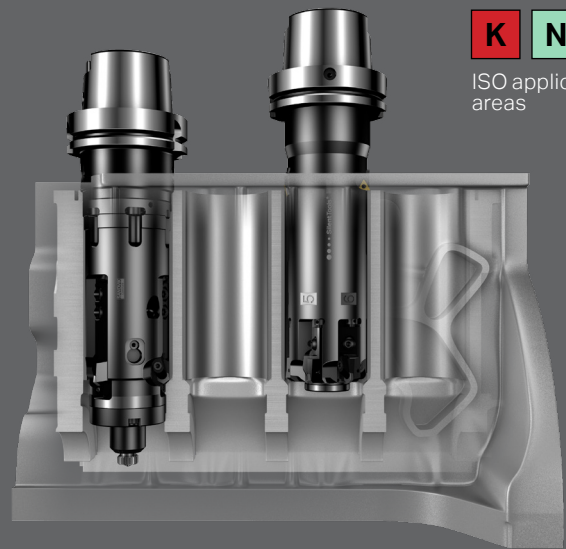
The damper inside the Silent Tools™ adaptor helps provide excellent hole geometry and outstanding surface quality.

### Solution for semi finishing

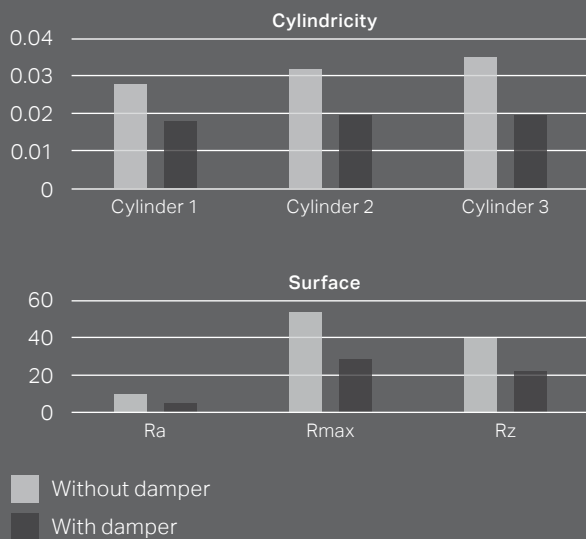
- Semi-finishing operations while retaining the required high level of quality in roundness and cylindricity
- Provides an excellent foundation for a successful finishing operation
- Machine types: unit centres and transfer lines

## Application

- Cast iron cylinder blocks
- Cast iron cylinder liners and sleeves casted in aluminium blocks
- All cylinder liner operations



## Comparison between conventional tool and Silent Tools™ solution



- Tests have been performed with and without Silent Tools™
- Quality surface, cylindricity and roundness were significantly better with Silent Tools™

- $v_c$ : 800 m/min (2,625 ft/min)
- $f_z$ : 0.15 mm/z (0.0059 in/z)
- $v_f$ : 2,557 mm/min (100.669 in/min)
- Insert: engineered CBN insert

For more information, contact your local Sandvik Coromant representative or visit [www.sandvik.coromant.com](http://www.sandvik.coromant.com)

Head office:  
AB Sandvik Coromant  
SE-811 81 Sandviken, Sweden  
E-mail: [info.coromant@sandvik.com](mailto:info.coromant@sandvik.com)  
[www.sandvik.coromant.com](http://www.sandvik.coromant.com)

C-1040:240 en-GB © AB Sandvik Coromant 2018

**SANDVIK**  
Coromant