



SANDVIK
Coromant



Face and shoulder milling

M5R90 aluminium cutter

Developed for the automotive industry, M5R90 is a robust, lightweight and stable cutter that produces a predictable surface finish.



M5R90 – a new concept for face and shoulder milling

M5R90 is the first choice for roughing to semi-finishing in shoulder milling operations of automotive aluminium components such as cylinder blocks, cylinder heads and transmission housing.

The cutter

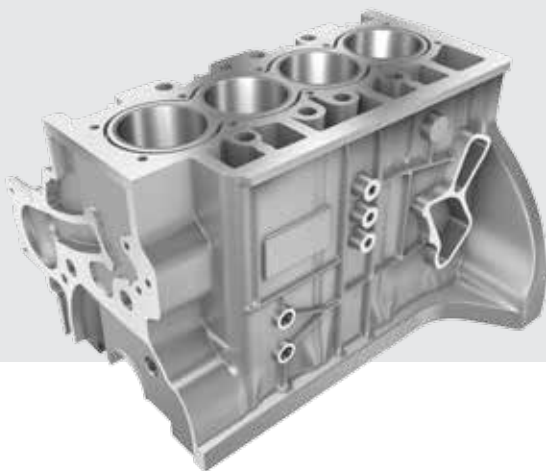
The cutter works with adjustable PCD cartridges and supports a depth of cut of up to 8 mm (0.315 inch) with a 0.4 or 0.8 mm (0.016 or 0.031 inch) radius depending on the cartridge used.

An internal system directs coolant from the spindle to the cutting edge, ensuring an effective cooling effect and cleaning action.



Features and benefits

- The cutter body is produced in a special aluminium alloy combining low weight with high toughness
- High density cutter is balanced with 10 000 rpm in a G2.5 class. This allows it to run at high speed without compromising the machine spindles
- The PCD tips are brazed in a steel cartridge which allows axial adjustments
- The PCD tips can be reground up to three times, ensuring prolonged tool life
- Several cutting edge geometries are available



For more information contact your local Sandvik Coromant representative or visit www.sandvik.coromant.com

Head office:
AB Sandvik Coromant
SE-811 81 Sandviken, Sweden
E-mail: info.coromant@sandvik.com
www.sandvik.coromant.com

C-1040:218 en-GB © AB Sandvik Coromant 2018

SANDVIK
Coromant