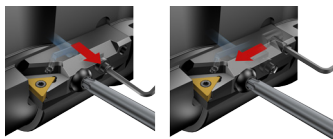
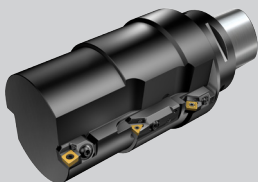


## Mounting instruction

### CoroBore®

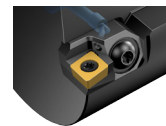
### Built-in cartridges - CB, CC and CD



CB – Boring axial and radial adjustment



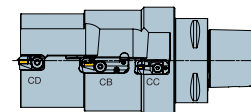
CC – Chamfer axial adjustment



CD – Fixed,  
no adjustment

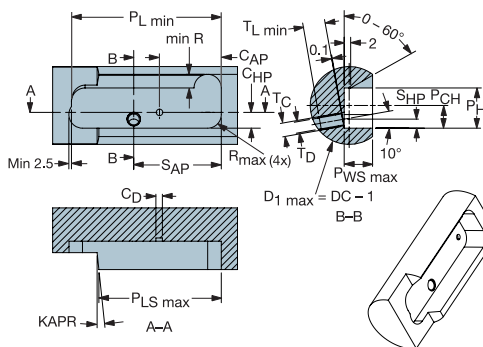
Size/type	Clamping set	Clamping torque	Key size
08CB	5519 201-01	4.8 Nm	15IP
10CB	5519 201-02	9 Nm	20IP
12CB	5519 201-03	16 Nm	25IP
06CC	5519 202-01	3.2 Nm	10IP
08CC	5519 202-02	4.8 Nm	15IP
10CC	5519 202-04	16 Nm	25IP
06CD	5519 202-01	3.2 Nm	10IP
08CD	5519 202-02	4.8 Nm	15IP
10CD	5519 202-03	16 Nm	25IP
12CD	5519 202-04	16 Nm	25IP

Parameter	Description
PL <sub>min</sub>	Pocket length min
P <sub>CH</sub>	Pocket center height
P <sub>H</sub>	Pocket height
PL <sub>S max</sub>	Pocket length support max
KAPR	Kappa
P <sub>WS max</sub>	Pocket width support max
R <sub>max</sub>	Radius max
S <sub>AP</sub>	Screw axial position
S <sub>HP</sub>	Screw height position
T <sub>D</sub>	Thread size
T <sub>C</sub>	Thread counterbore dia
T <sub>L min</sub>	Thread length min
C <sub>AP</sub>	Coolant axial position
C <sub>HP</sub>	Coolant height position
C <sub>D</sub>	Coolant hole dia

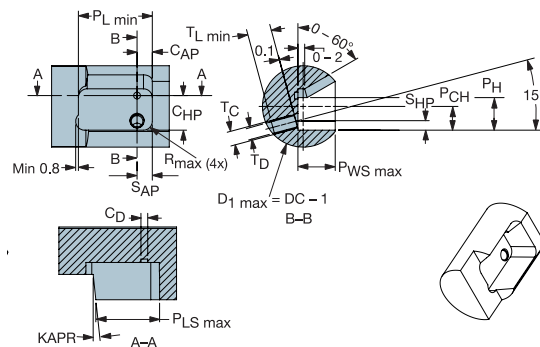


[www.sandvik.coromant.com/  
coroborecartridge](http://www.sandvik.coromant.com/coroborecartridge)

### Type CB



### Type CC and CD



Head office:  
AB Sandvik Coromant  
SE-811 81 Sandviken, Sweden  
[www.sandvik.coromant.com](http://www.sandvik.coromant.com)  
E-mail: [info.coromant@sandvik.com](mailto:info.coromant@sandvik.com)

92049

© AB Sandvik Coromant  
2017.10, Rev 2018.06

## Mounting instruction for CoroBore® Cartridges

Code	P <sub>Lmin</sub> (mm)	P <sub>CH</sub> ±0.1 (mm)	P <sub>H</sub> +0.2 0 (mm)	P <sub>LSmax</sub> (mm)	KAPR (°)	P <sub>WSmax</sub> (mm)	R <sub>max</sub> (mm)	S <sub>AP</sub> ±0.05 (mm)	S <sub>HP</sub> ±0.05 (mm)	T <sub>D</sub> (mm)	∅ T <sub>C</sub> (mm)	T <sub>Lmin</sub> (mm)	C <sub>AP</sub> ±0.1 (mm)	C <sub>HP</sub> ±0.1 (mm)	∅ C <sub>D</sub> ±0.2 (mm)
SCFCR08CBX06	41.5	7	12.4	37.4	90	10.3	4.2	27	2.8	M4	4.2	7	19.6	4.8	1.8
STFCR08CBX09															
SSYPR08CBX06				42	37.7										
SCFCR10CBX09	46.5	9	14.4	42	90	12.8	4.2	27	3.7	M5	5.2	9	19.1	6.8	1.8
STFCR10CBX11															
SSYPR10CBX08				47.3	42.5										
SCFCR12CBX12	51.5	11	16.4	46.5	90	14.1	4.2	27	4.7	M6	6.2	10	18.6	8.8	1.8
STFCR12CBX16															
SSYPR12CBX12				52.7	47.2										
SSTPR06CCX06	27.5	5	10.4	20.5	30	8.6	2.3	10.95	2.6	M3.5	3.6	5	12	8.3	2
SSSPR06CCX06	26.6			19.9	45										
SSTPR08CCX08	33.8	7	12.4	25	30	12.6	2.6	11.2	2.8	M4	4.2	7	12.2	9.7	2
SSSPR08CCX08	32.5			24.1	45										
SSTPR10CCX12	43.8	9	14.4	30.9	30	16.5	3	14.5	3.5	M6	6.2	9	17	11.9	2.2
SSSPR10CCX12	42			30	45										
SCFCR06CDX06	17	5	10.4	14.5	90	8.7	2.3	4	2.6	M3.5	3.6	5	4.2	8.4	2
STFCR06CDX06															
SSYPR06CDX06				17.6	14.9										
SCFCR08CDX06	21	7	12.4	18.1	90	11	2.6	4.5	2.8	M4	4.2	7	4.5	10.2	2
STFCR08CDX09															
SSYPR08CDX06				21.9	18.7										
SCFCR10CDX09	26	9	14.4	22.8	90	13	3	7	3.8	M6	6.2	9	7	11.95	2.2
STFCR10CDX11															
SSYPR10CDX08				26.9	23.6										
SCFCR12CDX12	31	11	16.4	27.3	90	15.8	3.2	7.25	4	M6	6.2	9	7.25	13.95	2.2
STFCR12CDX16															
SSYPR12CDX12				32.2	28.3										