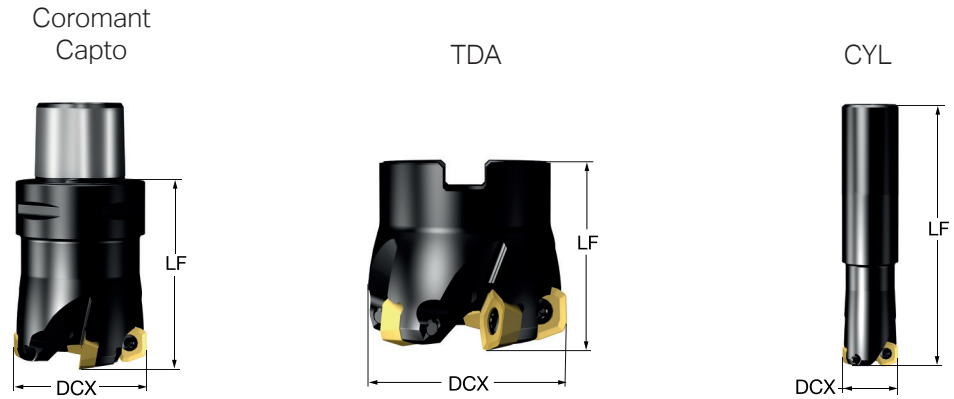


Tailor Made



CoroMill® 419 high feed cutter body tailor made offer (metric)

- Available in CAPP family: M209.
- Available with insert sizes: iC14.
- Diameter range considering DCX: 32 – 160 mm.
- All cutters are available with Even pitch and differential pitch options are available above DCX = 38 mm.
- Both internal coolant and No coolant options available for all cutter bodies.

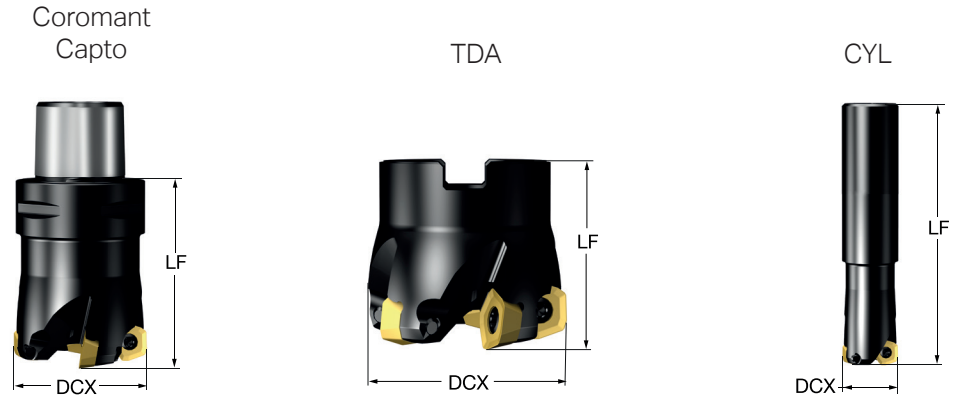


Insert size (iC)	Adaptor	Adaptor size	Tool diameter (DCX)	ZN	Functional length (LF)
iC14	Coromant Capto	C3	32-40	2-3	50
		C4	40-50	3-4	60-70
		C5	50-63	4-6	70
		C6	63-80	4-7	70-75
		C8	80-100	6-8	80
		C10	100-125	6-9	100
	TDA	A16	40-50	3-4	45
		A22	50-80	4-7	45-50
		A27	63-100	4-8	50
		B32	84-125	5-9	50
		B40	100-160	6-12	63
CYL	32	32-50	2-4	150-250	

Tailor Made

CoroMill® 419 high feed cutter body tailor made offer (inch)

- Available in CAPP family: M209.
- Available with insert sizes: iC14.
- Diameter range considering DCX: 1.25–6.0 inches.
- All cutters are available with Even pitch and differential pitch options are available above DCX = 1.5 inch.
- Both internal coolant and No coolant options available for all cutter bodies.



Insert size (iC)	Adaptor	Adaptor size	Tool diameter (DCX)	ZN	Functional length (LF)
iC14	Coromant Capto	C3	1.25–1.5	2–3	1.969
		C4	1.5–2.0	3–4	2.362–2.756
		C5	2.0–2.5	4–6	2.756
		C6	2.0–3.0	4–6	2.756–2.953
		C8	3.0–4.0	6–8	3.149
		C10	4.0–5.0	6–9	3.937
	TDA	A0.75	1.5–3.0	3–4	1.750–1.969
		A1.0	3.0–4.0	4–8	1.969
		B1.5	4.0–6.0	8–11	1.969
	CYL	1.25	1.25–1.5	2–3	6.0–10.0