

**SANDVIK**  
Coromant

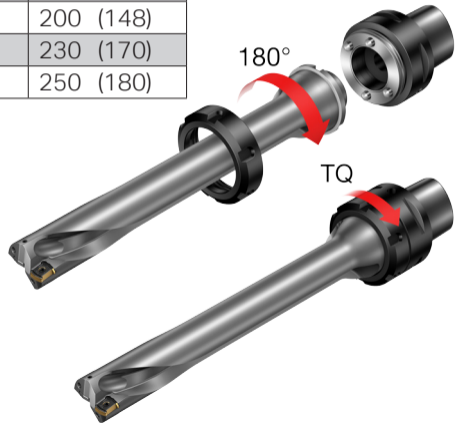
Handling instructions

# Modular drill adaptor





MDI size	Torque Nm (ft/lbs)
20	135 (100)
25	170 (125)
32	200 (148)
40	230 (170)
50	250 (180)



Head office:  
AB Sandvik Coromant  
SE-811 81 Sandviken, Sweden  
[www.sandvik.coromant.com](http://www.sandvik.coromant.com)  
E-mail: [info.coromant@sandvik.com](mailto:info.coromant@sandvik.com)

**92059**

© AB Sandvik Coromant  
2019.06

