

SANDVIK
Coromant

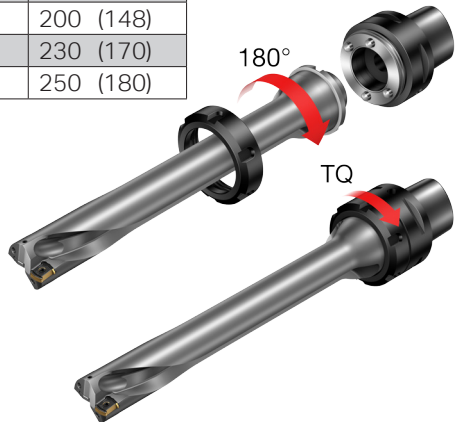
Handling instructions

Modular drill adaptor





MDI size	Torque Nm (ft/lbs)
20	135 (100)
25	170 (125)
32	200 (148)
40	230 (170)
50	250 (180)



Head office:
AB Sandvik Coromant
SE-811 81 Sandviken, Sweden
www.sandvik.coromant.com
E-mail: info.coromant@sandvik.com

92059

© AB Sandvik Coromant
2019.06

