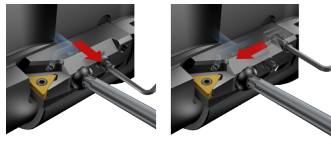
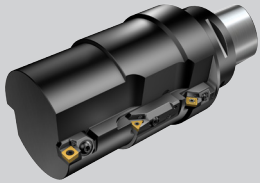


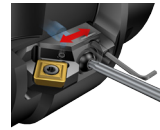
Mounting instruction

CoroBore®

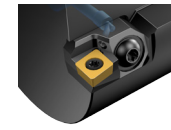
Built-in cartridges - CB, CC and CD



CB – Boring axial and radial adjustment



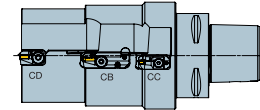
CC – Chamfer axial adjustment



CD – Fixed,
no adjustment

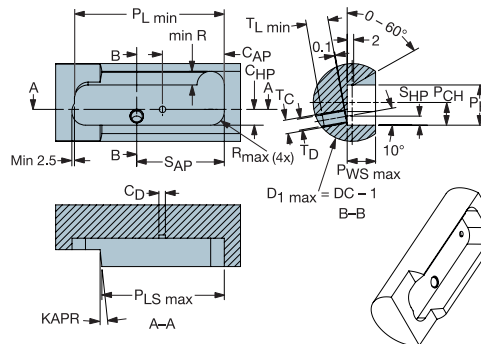
Size/type	Clamping set	Clamping torque	Key size
08CB	5519 201-01	4.8 Nm	15IP
10CB	5519 201-02	9 Nm	20IP
12CB	5519 201-03	16 Nm	25IP
06CC	5519 202-01	3.2 Nm	10IP
08CC	5519 202-02	4.8 Nm	15IP
10CC	5519 202-04	16 Nm	25IP
06CD	5519 202-01	3.2 Nm	10IP
08CD	5519 202-02	4.8 Nm	15IP
10CD	5519 202-03	16 Nm	25IP
12CD	5519 202-04	16 Nm	25IP

Parameter	Description
PL _{min}	Pocket length min
P _{CH}	Pocket center height
P _H	Pocket height
PLS _{max}	Pocket length support max
KAPR	Kappa
P _{WS} max	Pocket width support max
R _{max}	Radius max
S _{AP}	Screw axial position
S _{HP}	Screw height position
T _D	Thread size
T _C	Thread counterbore dia
T _L min	Thread length min
C _{AP}	Coolant axial position
C _{HP}	Coolant height position
C _D	Coolant hole dia

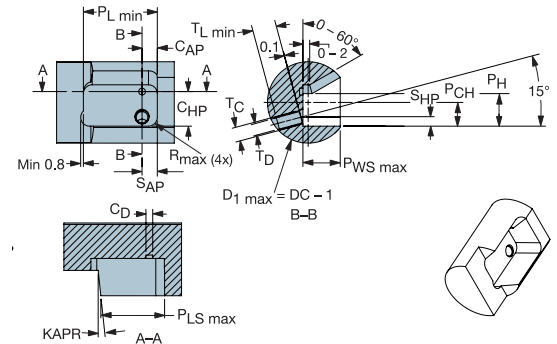


[www.sandvik.coromant.com/
coroborecartridge](http://www.sandvik.coromant.com/coroborecartridge)

Type CB



Type CC and CD



Head office:
AB Sandvik Coromant
SE-811 81 Sandviken, Sweden
www.sandvik.coromant.com
E-mail: info.coromant@sandvik.com

92049

© AB Sandvik Coromant
2017.10, Rev 2018.06

Mounting instruction for CoroBore® Cartridges

Code	P _L min (mm)	P _{CH} ±0.1 (mm)	P _H +0.2 0 (mm)	P _{LS} max (mm)	KAPR (°)	P _{WS} max (mm)	R _{max} (mm)	S _{AP} ±0.05 (mm)	S _{HP} ±0.05 (mm)	T _D (mm)	∅ T _C (mm)	T _L min (mm)	C _{AP} ±0.1 (mm)	C _{HP} ±0.1 (mm)	∅ C _D ±0.2 (mm)
SCFCR08CBX06	41.5	7	12.4	37.4	90	10.3	4.2	27	2.8	M4	4.2	7	19.6	4.8	1.8
STFCR08CBX09															
SSYPR08CBX06				42	37.7										
SCFCR10CBX09	46.5	9	14.4	42	90	12.8	4.2	27	3.7	M5	5.2	9	19.1	6.8	1.8
STFCR10CBX11															
SSYPR10CBX08				47.3	42.5										
SCFCR12CBX12	51.5	11	16.4	46.5	90	14.1	4.2	27	4.7	M6	6.2	10	18.6	8.8	1.8
STFCR12CBX16															
SSYPR12CBX12				52.7	47.2										
SSTPR06CCX06	27.5	5	10.4	20.5	30	8.6	2.3	10.95	2.6	M3.5	3.6	5	12	8.3	2
SSSPR06CCX06	26.6			19.9	45										
SSTPR08CCX08	33.8			25	30										
SSSPR08CCX08	32.5	7	12.4	24.1	45	12.6	2.6	11.2	2.8	M4	4.2	7	12.2	9.7	2
SSTPR10CCX12	43.8	9	14.4	30.9	30	16.5	3	14.5	3.5	M6	6.2	9	17	11.9	2.2
SSSPR10CCX12	42			30	45										
SCFCR06CDX06	17			5	10.4										
STFCR06CDX06															
SSYPR06CDX06		17.6	14.9			84									
SCFCR08CDX06	21	7	12.4	18.1	90	11	2.6	4.5	2.8	M4	4.2	7	4.5	10.2	2
STFCR08CDX09															
SSYPR08CDX06				21.9	18.7										
SCFCR10CDX09	26	9	14.4	22.8	90	13	3	7	3.8	M6	6.2	9	7	11.95	2.2
STFCR10CDX11															
SSYPR10CDX08				26.9	23.6										
SCFCR12CDX12	31	11	16.4	27.3	90	15.8	3.2	7.25	4	M6	6.2	9	7.25	13.95	2.2
STFCR12CDX16															
SSYPR12CDX12				32.2	28.3										