

CoroMill® 390 Shoulder Milling body

Tailor made offer (metric)

Tailor Made

- Available in CAPP family: M252
- Available with insert sizes: IC07, IC11, IC17, IC18
- Diameter range considering DC: 9,52– 203,2 mm
- Differential & even pitch option, available with variable number of inserts.
- Coolant: with or without coolant option available. (depending on cutter diameter)

Insert size (IC)	07		11		17		18	
Diameter range (DC)	9.52-42		15.5- 80		25-127		38.1 -203.2	
Max AP	5.8		10		15.7		15.4	
RE	0.2-1.6		0.2-3.1		0.4-6.4		0.8-6.4	
Pitch (differential / even)	D	E	D	E	D	E	D	E
Number of inserts (ZN)	3–10	2–10	2–10	2–10	2–11	2–11	2–12	2–12
Internal coolant	Yes & No							



Various mounting options available depending upon diameter (DC) range



CYL



WEL



Coromant Capto



EH

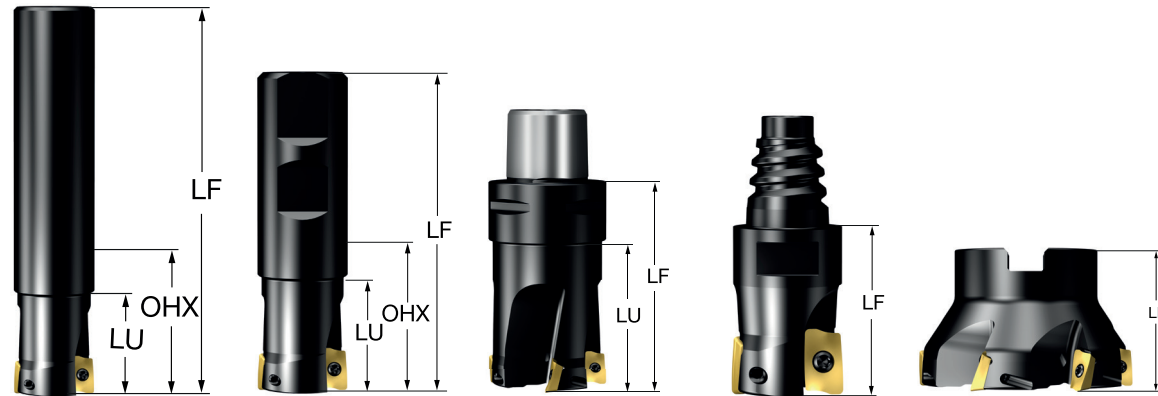


TDA/CISA



TDB

Cylindrical and Weldon			Coromant Capto			EH coupling		
CZC	DC	SSC	CZC	DC	SSC	CZC	DC	SSC
8-10	9.50-11.00	07	C3	15.50-40.00	11/17	10	9.50-12.70	07
12	11.70-20.00	07/11	C4	15.50-50.80	11/17/18	12	11.70-16.00	07
14	13.70-16.00	07	C5	25.00-80.00	11/17/18	16	15.70-20.00	07
16	15.50-20.00	07/11	C6	25.00-80.00	11/17/18	20	19.05-24.00	07
20	15.50-40.00	07/11	C8	25.00-80.00	11/17/18	25	25.00-32.00	07
25	19.05-50.80	07/11/17						
32	25.00-80.00	11/17/18						
40	31.75-80.00	11/17/18						
Arbor (TDA) including CIS			Arbor (TDB)			Arbor (TDC)		
CZC	DC	SSC	CZC	DC	SSC	CZC	DC	SSC
16	30.50-63.50	07/11/17/18	25	56.00-127.00	11/17/18	38	113.50-203.20	17/18
19	30.50-63.50	07/11/17/18	27	56.00-127.00	11/17/18	40	113.50-203.20	17/18
22	31.20-105.00	11/17/18	32	63.00-127.00	11/17/18	60	158.50-203.20	18
25	31.20-105.00	11/17/18	38	80.00-160.00	11/17/18	63	158.50-203.20	18
27	38.00-127.00	11/17/18	40	74.00-160.00	11/17/18			
32	45.00-127.00	11/17/18						
38	45.00-127.00	11/17/18						



Length		Cylindrical shank min-max (mm)	Weldon shank min-max (mm)	Coromant Capto (mm)	EH coupling min-max (mm)	Arbor (mm)
LF	07	60-203.2	n/a	n/a	20-50	35
	11	66-300	68-300	37.4-135	n/a	40-101.6
	17	81-300	80-300	47-135	n/a	40-101.6
	18	83-300	82-300	47-135	n/a	40-101.6
OHX*	11	20-230	20-230			
	17	32-230	32-230			
	18	32-230	32-230			
LU/LB1	07	15-50	n/a	n/a	12.5-38.9	n/a
	11	20-150	20-150	20-113	n/a	26.5-88.5
	17	32-150	32-150	32-113	n/a	n/a
	18	32-150	32-150	32-113	n/a	n/a

*OHX = Max overhang

Insert size 11

- A11 RE = (0.2-2.2) mm, standard cutter body
- B11 RE = (2.3-3.2) mm, Tailor Made

Insert size 17

- A17 RE = (0.4-1.6) mm, standard cutter body
- B17 RE = (1.7-3.3) mm, Tailor Made or modified standard
- C17 RE = (3.4-5.7) mm, Tailor Made or modified standard
- D17 RE = (5.8-6.5) mm, Tailor Made or modified standard

Insert size 18

- A18 RE = (0.4-2.0) mm, standard cutter body
- B18 RE = (2.1-3.1) mm, Tailor Made or modified standard
- C18 RE = (3.2-4.0) mm, Tailor Made or modified standard
- D18 RE = (4.1-5.0) mm, Tailor Made or modified standard
- E18 RE = (5.1-6.4) mm, Tailor Made or modified standard

CoroMill® 390 Shoulder Milling body

Tailor made offer (inch)

Tailor Made

- Available in CAPP family: M252
- Available with insert sizes: IC07, IC11, IC17, IC18
- Diameter range considering DC: 0.375– 8.0 inch
- Differential & even pitch option, available with variable number of inserts.
- Coolant: with or without coolant option available. (depending on cutter diameter)

Insert size (IC)	07		11		17		18	
Diameter range (DC)	0.375-1.654		0.610- 3.150		0.984-5.0		1.50 -8.0	
Max AP	0.228		0.394		0.618		0.606	
RE	0.008-0.063		0.008-0.122		0.016-0.252		0.031-0.252	
Pitch (differential / even)	D	E	D	E	D	E	D	E
Number of inserts (ZN)	3–10	2–10	2–10	2–10	2–11	2–11	2–12	2–12
Internal coolant	Yes & No							



Various mounting options available depending upon diameter (DC) range



CYL



WEL



Coromant Capto



EH

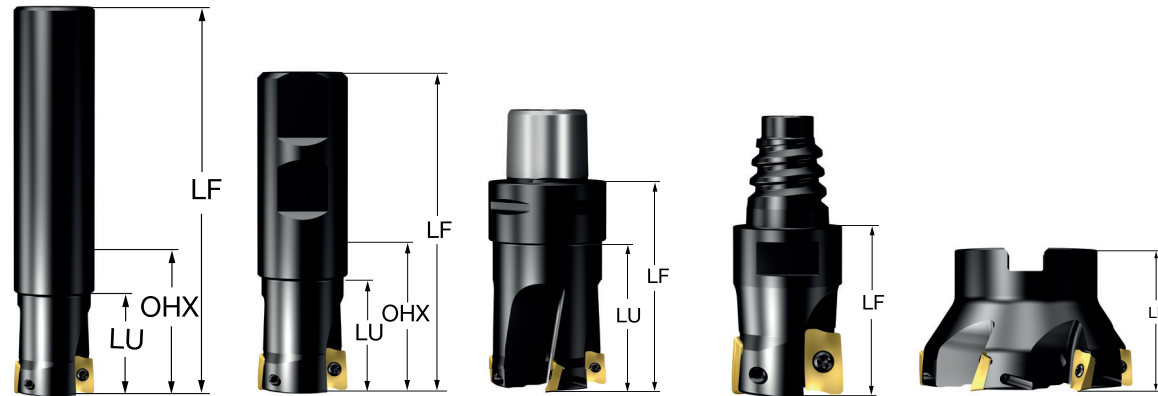


TDA/CISA



TDB

Cylindrical and Weldon			Coromant Capto			EH coupling		
CZC	DC	SSC	CZC	DC	SSC	CZC	DC	SSC
8-10	0.37-0.43	07	C3	0.61-1.57	11/17	10	0.37-0.5	07
12	0.46-0.79	07/11	C4	0.61-2.0	11/17/18	12	0.46-0.63	07
14	0.54-0.63	07	C5	0.98-3.15	11/17/18	16	0.62-0.79	07
16	0.61-0.79	07/11	C6	0.98-3.15	11/17/18	20	0.75-0.94	07
20	0.61-1.57	07/11	C8	0.98-3.15	11/17/18	25	0.98-1.26	07
25	0.75-0.08	07/11/17						
32	0.98-3.15	11/17/18						
40	1.25-3.15	11/17/18						
Arbor (TDA) including CIS			Arbor (TDB)			Arbor (TDC)		
CZC	DC	SSC	CZC	DC	SSC	CZC	DC	SSC
16	1.20-2.5	07/11/17/18	25	2.20-5.0	11/17/18	38	4.47-8.0	17/18
19	1.20-2.5	07/11/17/18	27	2.20-5.0	11/17/18	40	4.47-8.0	17/18
22	1.23-4.13	11/17/18	32	2.48-5.0	11/17/18	60	6.24-8.0	18
25	1.23-4.13	11/17/18	38	2.48-6.30	11/17/18	63	6.24-8.0	18
27	1.5-5.0	11/17/18	40	2.91-6.30	11/17/18			
32	1.77-5.0	11/17/18						
38	1.77-5.0	11/17/18						



Length		Cylindrical shank min-max (inch)	Weldon shank min-max (inch)	Coromant Capto (inch)	EH coupling min-max (inch)	Arbor (inch)
LF	07	2.35-8.0	n/a	n/a	0.79-1.97	1.38
	11	2.60-11.81	2.68-11.81	1.47-5.31	n/a	1.57-4.0
	17	3.19-11.81	3.15-11.81	1.85-5.31	n/a	1.57-4.0
	18	3.27-11.81	3.23-11.81	1.85-5.31	n/a	1.57-4.0
OHX*	11	0.79-9.06	0.79-9.06			
	17	1.26-9.06	1.26-9.06			
	18	1.26-9.06	1.26-9.06			
LU/LB1	07	0.59-1.97	n/a	n/a	0.49-1.53	n/a
	11	0.79-5.91	0.79-5.91	0.79-4.45	n/a	1.04-3.48
	17	1.26-5.91	1.26-5.91	1.26-4.45	n/a	n/a
	18	1.26-5.91	1.26-5.91	1.26-4.45	n/a	n/a

*OHX = Max overhang

Insert size 11

- A11 RE = (0.01-0.09) inch, standard cutter body
- B11 RE = (0.09-0.13) inch, Tailor Made

Insert size 17

- A17 RE = (0.02-0.06) inch, standard cutter body
- B17 RE = (0.07-0.13) inch, Tailor Made or modified standard
- C17 RE = (0.13-0.22) inch, Tailor Made or modified standard
- D17 RE = (0.23-0.26) inch, Tailor Made or modified standard

Insert size 18

- A18 RE = (0.02-0.08) inch, standard cutter body
- B18 RE = (0.08-0.12) inch, Tailor Made or modified standard
- C18 RE = (0.08-0.16) inch, Tailor Made or modified standard
- D18 RE = (0.16-0.20) inch, Tailor Made or modified standard
- E18 RE = (0.20-0.25) inch, Tailor Made or modified standard