

CoroMill® 300 Positive cutter body tailor made offer (metric)

- Available in CAPP family: M258
- Available with insert sizes: iC08, iC09, iC10, iC12, iC13 & iC16
- Diameter range considering DCX: 25–160 mm
- Diameter range considering DC: 17–144 mm
- Both differential & even pitch option available with variable number of inserts.
- Both with coolant (depending on cutter length) & without coolant option available in all diameters.

Tailor Made



| | | | | | | | | | | | | |
|-----------------------------|----------|------|-----------|------|-------|------|--------|------|----------|------|--------|------|
| Insert size (iC) | 08 | | 09 | | 10 | | 12 | | 13 | | 16 | |
| Diameter range (DCX) | 25–80 | | 25–80 | | 25–80 | | 32–105 | | 31.7–105 | | 40–160 | |
| Diameter range (DC) | 17–72 | | 15.4–70.4 | | 15–70 | | 20–93 | | 19–92.3 | | 24–144 | |
| Pitch (differential / even) | D | E | D | E | D | E | D | E | D | E | D | E |
| Number of inserts (Zn) | 2–11 | 2–12 | 2–9 | 2–10 | 2–9 | 2–10 | 2–9 | 2–10 | 2–9 | 2–10 | 2–11 | 2–12 |
| Internal coolant | Yes & No | | | | | | | | | | | |

Various mounting options available depending upon diameter (DCX) range



TDA/CISA



TDB/CISB



Coromant Capto



CYL



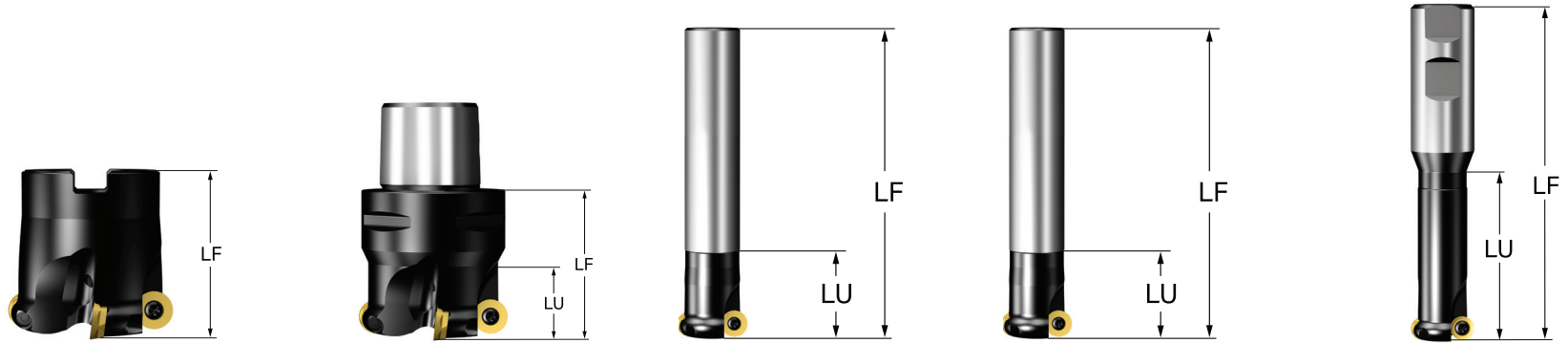
CYLPC



WEL

| Coupling style | Arbor (ISO6462) Style A | | | | Arbor (ISO6462) Style B | | Coromant Capto | | | | | Cylindrical | | | Cylindrical PC | | Weldon | | | |
|----------------|-------------------------|----|----|----|-------------------------|----|----------------|----|----|----|----|-------------|----|----|----------------|----|--------|----|----|----|
| Coupling size | 16 | 22 | 27 | 32 | 32 | 40 | C3 | C4 | C5 | C6 | C8 | 20 | 25 | 32 | 32 | 42 | 20 | 25 | 32 | 40 |
| DCX | | | | | | | | | | | | | | | | | | | | |
| 25 | | | | | | | • | • | • | • | | • | • | • | • | • | • | • | • | • |
| 31.75 | | | | | | | • | • | • | • | • | • | • | • | • | • | • | • | • | • |
| 32 | | | | | | | • | • | • | • | • | • | • | • | • | • | • | • | • | • |
| 39.9 | • | | | | | | • | • | • | • | • | | • | • | • | • | | • | • | • |
| 40 | • | | | | | | • | • | • | • | • | | • | • | • | • | | • | • | • |
| 40.6 | • | • | | | | | | • | • | • | • | | | • | | • | | | • | • |
| 46.4 | • | • | • | | | | | • | • | • | • | | | • | | • | | | • | • |
| 50 | • | • | • | | | | | • | • | • | • | | | • | | • | | | • | • |
| 51 | | • | • | | | | | • | • | • | • | | | • | | • | | | • | • |
| 53.4 | | • | • | • | | | | • | • | • | • | | | | | | | | | |
| 55 | | • | • | • | | | | • | • | • | • | | | | | | | | | |
| 71.4 | | • | • | • | • | | | | • | • | • | | | | | | | | | |
| 72.4 | | • | • | • | • | | | | • | • | • | | | | | | | | | |
| 80 | | • | • | • | • | | | | • | • | • | | | | | | | | | |
| 90 | | | • | • | • | • | | | | | • | | | | | | | | | |
| 100 | | | • | • | • | • | | | | | • | | | | | | | | | |
| 102 | | | | • | • | • | | | | | • | | | | | | | | | |
| 127 | | | | • | • | • | | | | | | | | | | | | | | |
| 160 | | | | | | • | | | | | | | | | | | | | | |

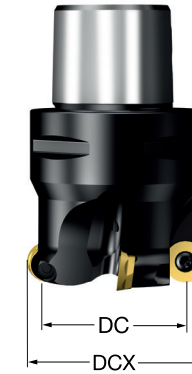
Depending upon the type of mounting selected, various programming length (L1), total length (L2) and reach length (L3) can be achieved.



| Length | Arbor mounting | Coromant Capto | Cylindrical | Cylindrical PC | Weldon |
|--------|----------------|----------------|-------------|----------------|------------|
| LF | 40-80 | 40-85 | 91 - 250 | 91 - 250 | 64.5 - 200 |
| LU | - | 32-3xDCX | 32-3xDCX | 32-3xDCX | 32-3xDCX |

CoroMill® 300 Positive cutter body tailor made offer (inch)

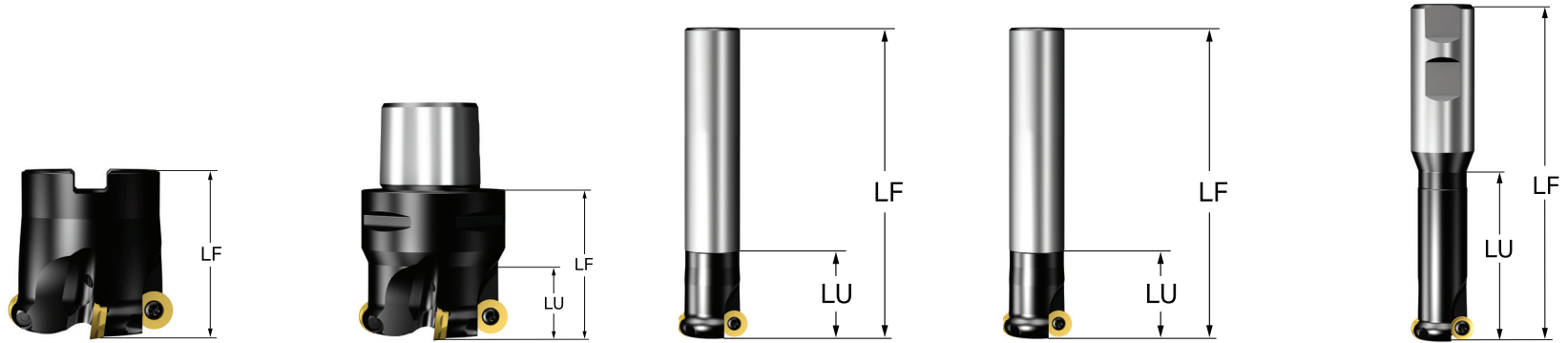
Tailor Made



- Available in CAPP family: M258
- Available with insert sizes: iC08, iC09, iC10, iC12, iC13 & iC16
- Diameter range considering DCX: 0.984–6.299 inch
- Diameter range considering DC: 0.669–5.669 inch
- Both differential & even pitch option available with variable number of inserts.
- Both with coolant (depending on cutter length) & without coolant option available in all diameters.

| | | | | | | | | | | | | |
|-----------------------------|-------------|------|-------------|------|-------------|------|-------------|------|-----------|------|-------------|------|
| Insert size (iC) | 08 | | 09 | | 10 | | 12 | | 13 | | 16 | |
| Diameter range (DCX) | 0.984–3.15 | | 0.984–3.15 | | 0.984–3.15 | | 1.260–5.0 | | 1.248–5.0 | | 1.575–6.299 | |
| Diameter range (DC) | 0.669–2.835 | | 0.606–2.772 | | 0.591–2.756 | | 0.787–4.567 | | 0.748–4.5 | | 1.024–5.699 | |
| Pitch (differential / even) | D | E | D | E | D | E | D | E | D | E | D | E |
| Number of inserts (Zn) | 2–11 | 2–12 | 2–9 | 2–10 | 2–9 | 2–10 | 2–9 | 2–10 | 2–9 | 2–10 | 2–11 | 2–12 |
| Internal coolant | Yes & No | | | | | | | | | | | |

Depending upon the type of mounting selected, various programming length (L1), total length (L2) and reach length (L3) can be achieved.



| Length | Arbor mounting | Coromant Capto | Cylindrical | Cylindrical PC | Weldon |
|--------|----------------|----------------|-------------|----------------|-------------|
| LF | 1.575-3.150 | 1.575-3.346 | 3.583-9.843 | 3.583-9.843 | 2.539-7.874 |
| LU | - | 0.984-3.150 | 1.260-3xDCX | 1.260-3xDCX | 1.260-3xDCX |