

CoroTurn® TR external Coromant Capto® holders for turning tailor made offer (metric and inch)

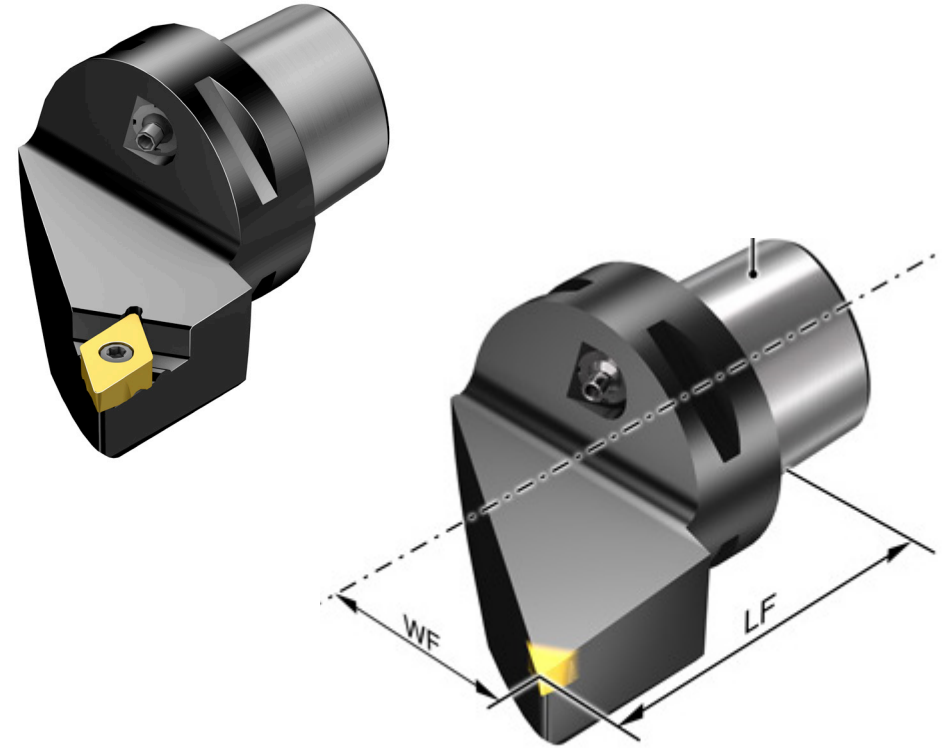
Tailor Made



- Available in CAPP family: T548

Functional width WF and length LF

CZC	WF ¹⁾	LF ¹⁾
C3	17-39.9 (0.669-1.571)	45.5-70 (1.791- 2.756)
C4	21-45.2 (0.827-1.780)	49.9-85 (1.965-3.346)
C5	26-50.5 (1.024-1.988)	52.1-90.0 (2.051-3.543)
C6	32.5-60.9 (1.280-2.398)	54.7-95.0 (2.254-3.740)
C8	41.0-60.9 (1.614-2.398)	59.4-90.0 (2.339-3.543)



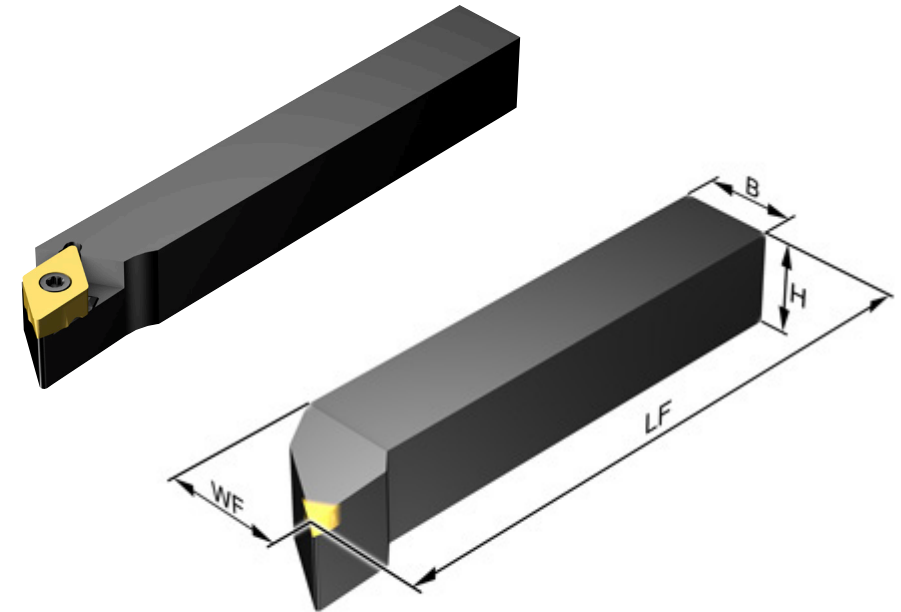
Unit system	Metric or Inch	Internal coolant	Non/adjustable nozzle
Coupling type	Coromant Capto	Functional width WF	Depending on size ¹⁾
Connection size CZC	C3, C4, C5, C6, C8	Functional length LF	Depending on size ¹⁾
Tool insert type	D13 (55°), V13 (35°)	Customer denomination	Max 18 digits
Tool in hand	R/L/N	Data chip	
Entering angle	D13, KAPR= 90° – 122°, (62.5° N) D13, PSIR= 0° – 32°, (27.5° N) V13, KAPR= 90° – 127,5°, (72.5° N) V13, PSIR= 0° – 37.5° (17,5° N)		

CoroTurn® TR external shank holders for turning tailor made offer (metric and inch)

Tailor Made

- Available in CAPP family: T548

	Connection size CZC	Functional width WF and length LF	
		WF	LF
Metric:	1616	16–20	108–158.7
	2020	20–25	108–165.9
	2525	25–32	116–175.9
	3225	25–32	116–192
	3232	32–40	127.4–192
Inch:	10 (5/8 x 5/8)	0.625–0.75	4.25–6.8
	12 (3/4 x 3/4)	0.75–1.0	4.25–6.8
	16 (1 x 1)	1.0–1.25	4.25–6.8
	20 (1 1/4 x 1 1/4)	1.25–1.5	4.25–6.8
	85 (1 1/4 x 1)	1.0–1.25	4.25–6.8

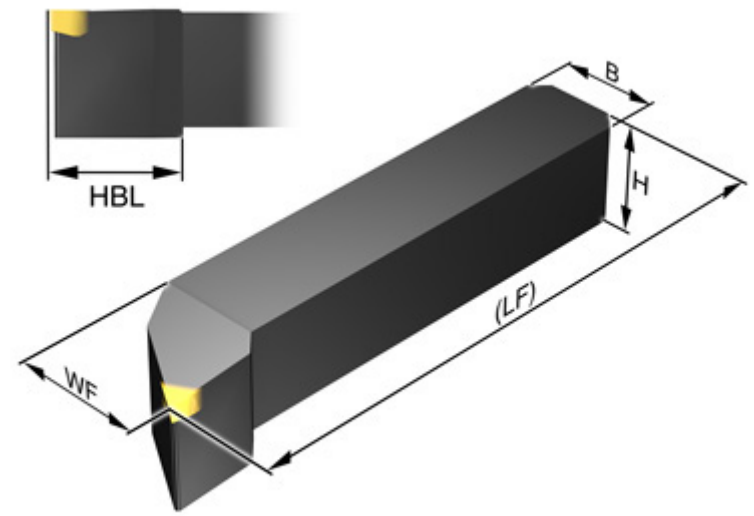
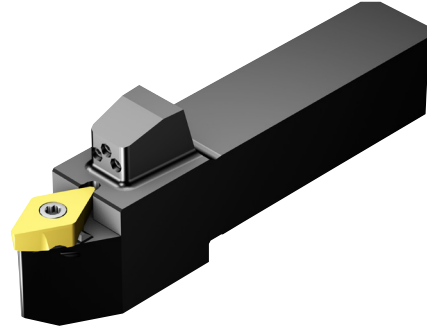


Unit system	Metric or Inch	Internal coolant	None/Up and under
Coupling type	Square shank	Functional width WF	Depending on size ¹⁾
Connection size H+B	1616, 2020, 2525, 3225, 3232 (10, 12, 16, 20-16, 20)	Functional length LF	Depending on size ¹⁾
Tool insert type		Customer denomination	Max 18 digits
Tool in hand	D13 (55°), V13 (35°)		
Entering angle	R/L/N D13, KAPR= 90° – 122°, (62.5° N) D13, PSIR= 0° – 32°, (27.5° N) V13, KAPR= 90° – 127.5°, (72.5° N) V13, PSIR= 0° – 37.5° (17.5° N)		

CoroTurn® TR external QS-holders for turning tailor made offer (metric and inch)

Tailor Made

- Available in CAPP family: T548



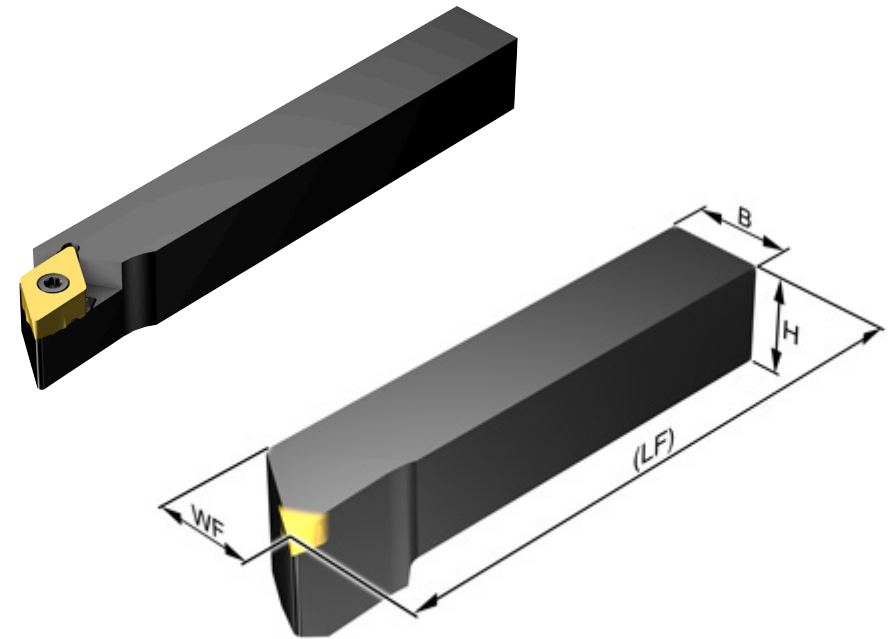
	Connection size CZC	Functional width WF and Tool length/overhang HBL	
		WF	HBL
Metric:	2020	20-25	29-50
	2525	25-32	29-70
Inch:	12 (3/4 x 3/4)	0.75-1.0	1.14-1.96
	16 (1 x 1)	1.0-1.25	1.14-2.75

Unit system	Metric or Inch	Internal coolant	None/Up and under
Coupling type	QS shank	Functional width WF	Depending on size ¹⁾
Connection size H+B	2020, 2525 (12, 16, 20)	Tool length/overhang HBL	Depending on size ¹⁾
Tool insert type		Customer denomination	Max 18 digits
Tool in hand	D13 (55°), V13 (35°)		
Entering angle	R/L/N D13, KAPR= 90° – 122°, (62.5° N) D13, PSIR= 0° – 32°, (27.5° N) V13, KAPR= 90° – 127,5°, (72.5° N) V13, PSIR= 0° – 37.5° (17,5° N)		

CoroTurn® TR external holders for sliding head machines tailor made offer (metric and inch)

- Available in CAPP family: T548

Tailor Made



	Connection size CZC	Functional width WF and length LF	
		WF	LF
Metric:	1616	16	125
Inch:	10 (5/8 x 5/8)	0.625	5

Unit system	Metric or Inch	Internal coolant	None
Coupling type	Swiss-shank	Customer denomination	Max 18 digits
Connection size	1616 (10)		
Tool insert type	D13 (55°), V13 (35°)		
Tool in hand	R/L/N		
Entering angle	D13, KAPR= 90° – 96°, (62.5° N) D13, PSIR= 0° – 6°, (27.5° N) V13, KAPR= 90° – 103°, (72.5° N) V13, PSIR= 0° – 13° (17,5° N)		