
Ordering information

M5R90 Square shoulder milling cutter

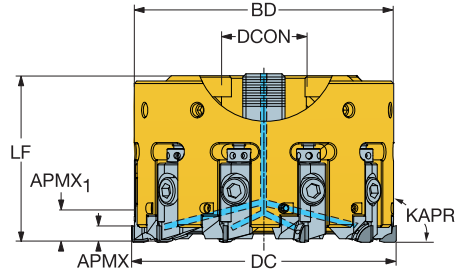
M5R90 Square shoulder milling cutter for non-ferrous material



Arbor - Internal coolant supply

KAPR

90°



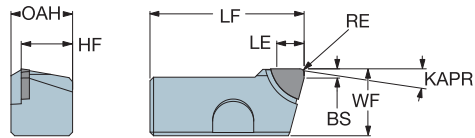
Metric version

	DC	SSC	CZC _{MS}	APMX	APMX ₁	RMPX	CNCS	Ordering code	Dimensions, mm							
									DCON	ISO	BD	LF	(NM)	(KG)	CICT	
Stocked	63.0	10	22	5.0	8.0	17.000	1	6	5R90-063Q22-10HX	22.0	A	61.0	50	14.0	0.4	6
	80.0	10	27	5.0	8.0	14.000	1	8	5R90-080Q27-10HX	27.0	A	78.0	50	14.0	0.6	8
	100.0	10	32	5.0	8.0	12.000	1	10	5R90-100Q32-10HX	32.0	A	98.0	63	14.0	1.2	10
	125.0	10	40	5.0	8.0	9.000	1	12	5R90-125Q40-10HX	40.0	B	123.0	63	14.0	1.8	12
	160.0	10	40	5.0	8.0	7.000	1	16	5R90-160Q40-10HX	40.0	C	158.0	63	14.0	2.7	16
	200.0	10	60	5.0	8.0	5.500	1	18	5R90-200Q60-10HX	60.0	C	198.0	63	14.0	4.3	18
	250.0	10	60	5.0	8.0	4.400	1	22	5R90-250Q60-10HX	60.0	C	248	63	14.0	6.5	22

Inch version

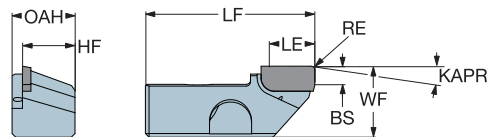
	DC	SSC	CZC _{MS}	APMX	APMX ₁	RMPX	CNCS	Ordering code	Dimensions, mm							
									DCON	ISO	BD	LF	(FT/LBS)	(LBS)	CICT	
Made to order	2.500	10	3/4	.197	.315	17.000	1	6	5R90-063R19-10HX	.750	A	2.421	1.968	10.326	.882	6
	3.000	10	1	.197	.315	14.000	1	8	5R90-076R25-10HX	1.000	A	2.921	1.968	10.326	1.323	8
	4.000	10	1 1/2	.197	.315	12.000	1	10	5R90-102R38-10HX	1.500	A	3.921	2.480	10.326	2.646	10
	5.000	10	1 1/2	.197	.315	9.000	1	12	5R90-127R38-10HX	1.500	B	4.921	2.480	10.326	3.968	12
	6.000	10	1 1/2	.197	.315	7.000	1	16	5R90-152R38-10HX	1.500	C	5.921	2.480	10.326	5.952	16
	8.000	10	2 1/2	.197	.315	5.500	1	18	5R90-203R63-10HX	2.500	C	7.921	2.480	10.326	9.480	18
	10.000	10	2 1/2	.197	.315	4.400	1	22	5R90-254R63-10HX	2.500	C	9.921	2.480	10.326	14.330	22

Cartridge with APMX



Medium	SSC	RE	Ordering code	N	Dimensions, mm, inch							
					LF	HF	WF	LE	BS	OAH	KAPR	
Medium	10	0.8	5R90-10CA08-PR5-NM	★	30.0	10.0	13.5	5.0	4.6	11.98	90°	
					1.181	.394	.531	.197	.181	.472		
Roughing	10	0.4	5R90-10CA04-ZR5-NR	★	30.0	10.0	13.5	5.0	2.3	11.98	15°	
					1.181	.394	.531	.197	.091	.472		

Cartridge with APMX₁



Medium	SSC	RE	Ordering code	N	Dimensions, mm, inch							
					LF	HF	WF	LE	BS	OAH	KAPR	
Medium	10	0.8	5R90-10CA08-PR10-NM	★	32.3	10.0	13.5	8.0	3.5	11.98	90°	
					1.272	.394	.531	.315	.138	.472		

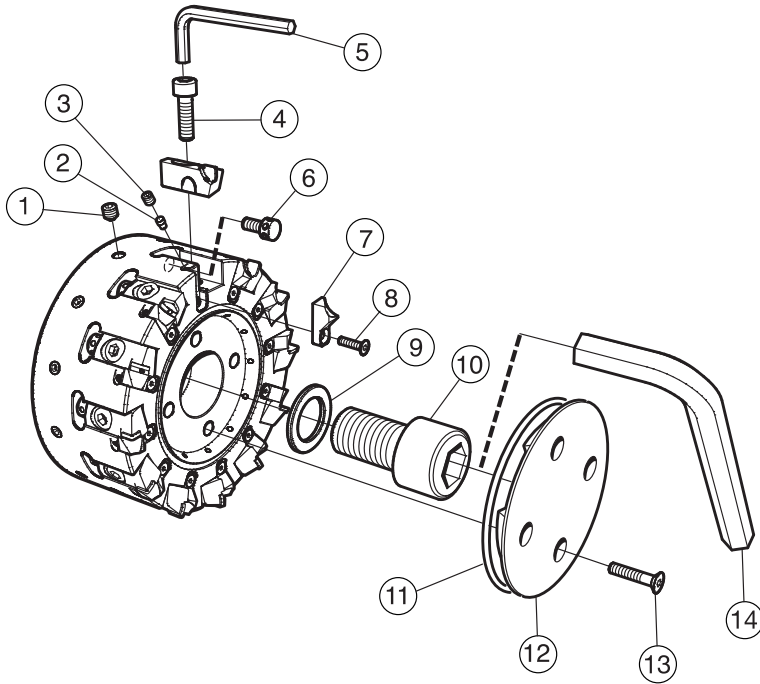
Cartridges to be ordered separately. Special engineered solutions are available for cutters and cartridges.

R = Right hand

M5R90 Square shoulder milling cutter for non-ferrous material



Spare parts



Spare parts								
	1	2	3	4	5	6	7	8
D_2 mm (inch)	Balancing screw	Wedge	Wedge screw	Cartridge screw	Cartridge screw key	Axial adjusting screw	Chip deflector	Chip deflector screw
63 (2.500)				3212 010-359			5691 055-02	
80 (3.000)								
100 (4.000)								
125 (5.000)	3214 010 355	5552 008-01	3214 010-253		3021 010-050	5516 060-01	5691 055-01	3213 010-248
160 (6.000)								
200 (8.000)				3212 010-410				
250 (10.000)								

Spare parts						
	9	10	11	12	13	14
D_2 mm (inch)	Support washer	Central screw	O'ring	Cover	Cover screw	Central screw key
63 (2.500)	5549 203-02	5512 075-04	3671 020-298	5623 010-09	3213 010-207	
80 (3.000)	5549 203-03	5512 075-05	3671 020-329	5623 010-10		3021 012-020
100 (4.000)	5549 203-04		3671 020-520	5623 010-11	3213 010-208	
125 (5.000)	5549 203-05	5512 075-06	3671 020-750	5623 010-12	3213 010-260	3021 010-025
160 (6.000)	5549 203-06	3212 010-516	3671 020-1076	5623 010-13		
200 (8.000)			3671 020-1488	5623 010-14		
250 (10.000)	5549 203-01	3212 010-567	3671 020-1950	5623 010-15	3213 010-351	3021 010-040

Head office:
AB Sandvik Coromant
SE-811 81 Sandviken, Sweden
E-mail: info.coromant@sandvik.com
www.sandvik.coromant.com

