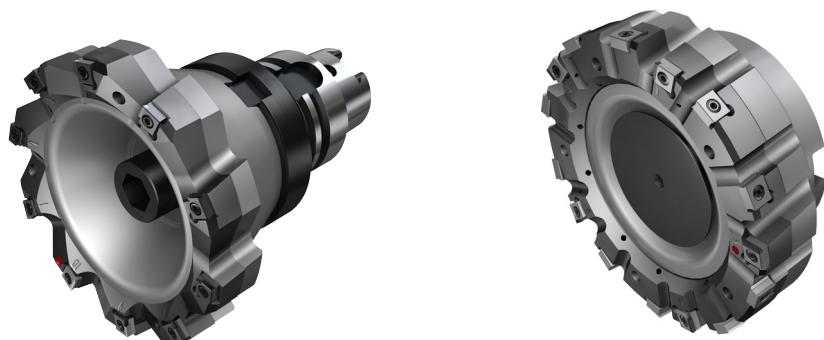


## Sandvik Coromant M5B90/M5C90

M5B90

M5C90

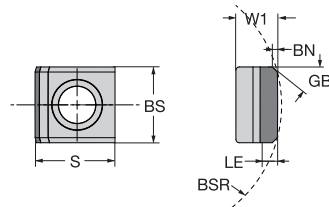
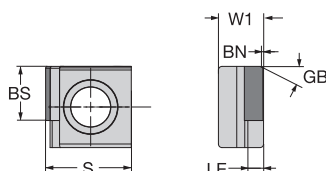
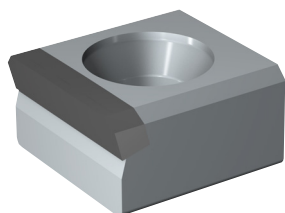


Both cutter bodies above use the same inserts. For more information, and how to order cutter bodies, please contact your local Sandvik Coromant sales representative.

## Inserts

Right/Left

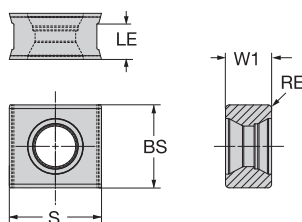
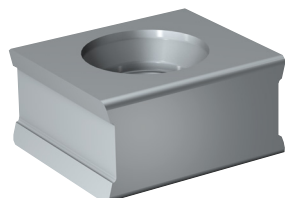
Wiper



		N	Dimensions, mm						
Hand	Ordering code	CD07	W1	LE	S	GB	BN	BS	BSR
Right	5B90-0905H-PS2-NL	☆	5.00	1.65	9.5	30	0.4	6	
Left	5B90L-0905H-PS2-NL	☆	5.00	1.65	9.5	30	0.4	6	
Wiper	5B90N-0905H-ZS2-NW*	☆	4.96	1.65	9.5	45	0.6	9	200
Wiper	5B90N-0905H-PS2-NW	☆	4.96	1.65	9.5	30	0.4	9	500

\*Dedicated geometry to tool up the finishing row on the M5C90 concept

Neutral



		N	Dimensions, mm				
Hand	RE	Ordering code	1010	W1	LE	S	BS
Neutral	0.4	5B90N-090504E-NL	☆	5.00	4.50	9.5	9

Insert screw: 5513 020-81  
Tightening torque: 3.6 Nm